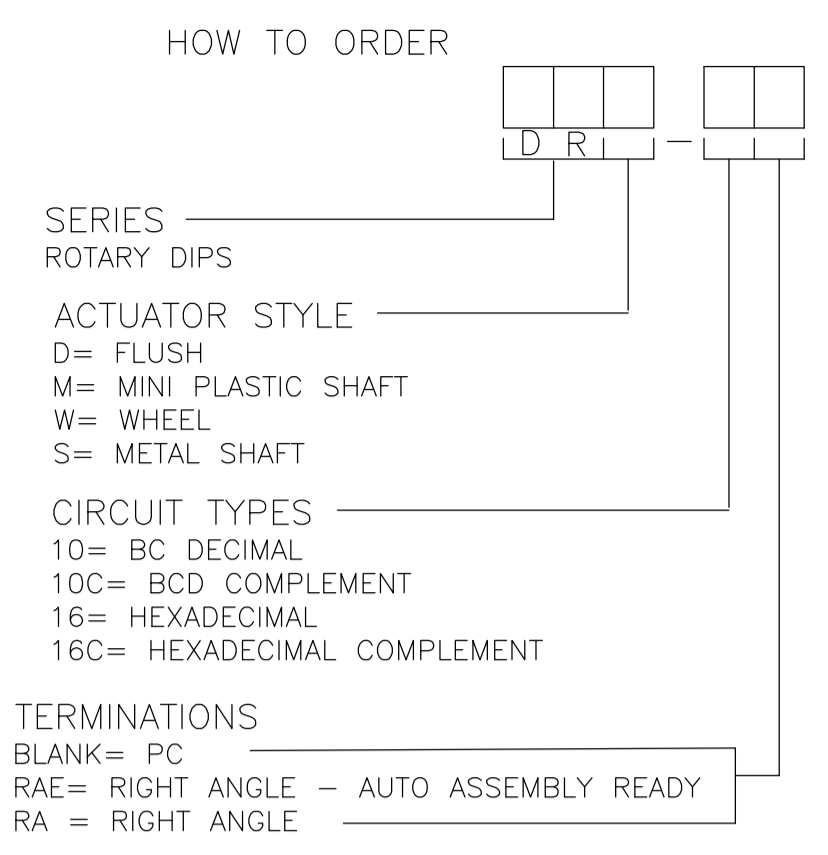


DRD RIGHT ANGLE  
PC MOUNT



**SPECIFICATIONS:**

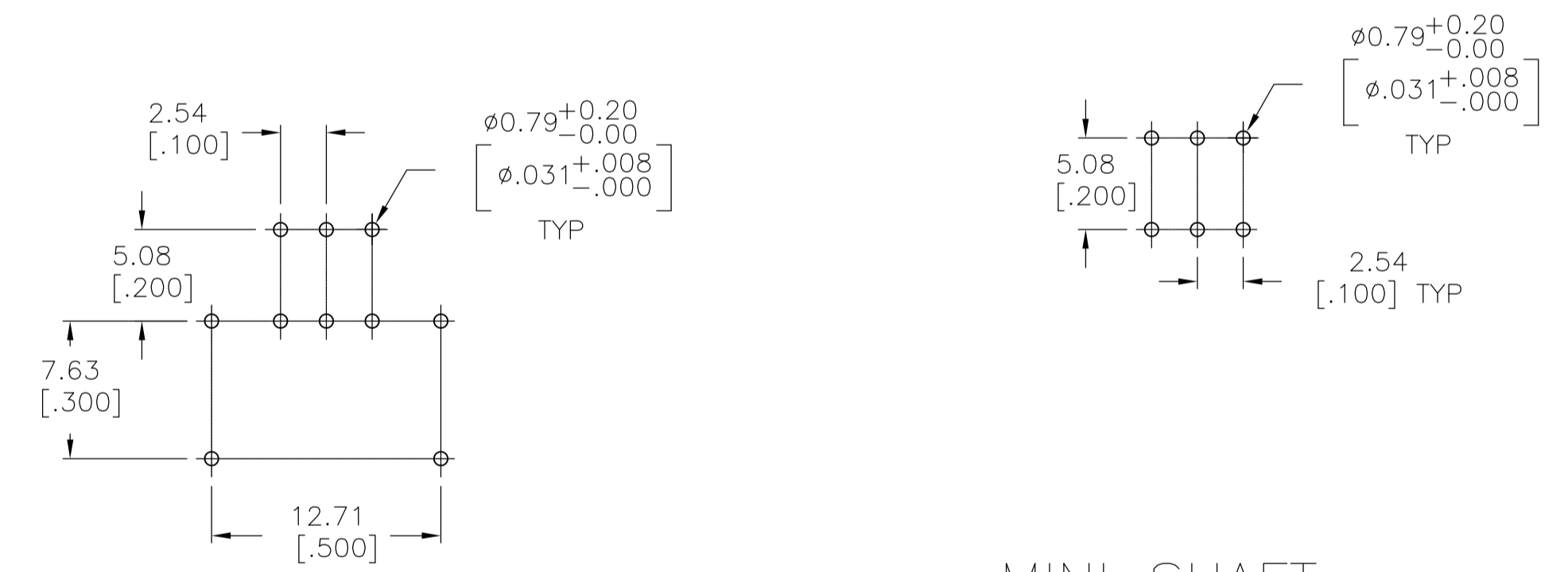
**MATERIAL:**  
FRAME & CASE- PPS UL94V-0, BLACK  
ROTOR, PA6T UL94V-0, COLOR SEE P/N TABLE  
FIXED CONTACT/TERMINAL- COPPER ALLOY, GOLD FLASH OVER NICKEL PLATE  
MOVING CONTACT- COPPER ALLOY, GOLD FLASH OVER NICKEL PLATE  
BALL SUPPORT PLATE- COPPER ALLOY  
BALL- STAINLESS STEEL  
DETENT SPRING- STAINLESS STEEL  
BUSHING (DRS)- ZINC DIE CAST  
SHAFT (DRS)- COPPER ALLOY- NICKEL PLATE

**ELECTRICAL:**  
CONTACT RATING- 0.4VA@ 20V DC OR PEAK AC  
INITIAL CONTACT RESISTANCE- 50 MILLIOHMS MAX  
INSULATION RESISTANCE- 1,000 MEGOHMS@100V DC  
DIELECTRIC STRENGTH- 300V AC  
LIFE EXPECTANCY- 10,000 ROTATIONS

**MECHANICAL:**  
OPERATING FORCE- 13.88 OZF.IN. MAX

**ENVIRONMENTAL:**  
OPERATING TEMPERATURE- -30°C TO +85°C  
STORAGE TEMPERATURE- -45°C TO +100°C  
RESISTANCE TO SOLDER HEAT-PER 109-202, COND B (THRU-HOLE)  
SOLDERABILITY-PER JIS C 0050 & JIS C 0053

- NOTES:**
- ALL MATERIALS AND FINISHES SHALL COMPLY WITH EU DIRECTIVE 2002/95/EC OF 27JAN2003 (ROHS)
  - COMMON TERMINALS ARE CONNECTED INTERNALLY, EXCEPT ON HYBRID VERSIONS.
  - RED ROTOR WITH WHITE PRINTING ON TOP AND SIDE OF SWITCH. "S" STYLES HAVE NOT PRINTING ON TOP.
  - BLACK ROTOR WITH WHITE PRINTING ON TOP AND SIDE OF SWITCH. "S" STYLES HAVE NO PRINTING ON TOP.
  - ORANGE ROTOR WITH WHITE PRINTING ON TOP AND SIDE OF SWITCH "S" STYLES HAVE NO PRINTING ON TOP.
  - WHITE ROTOR WITH WHITE PRINTING ON TOP AND SIDE OF SWITCH "S" STYLE HAVE NO PRINTING ON TOP.
- △ LOCATE 'ALCO' TRADE NAME AND LOT NUMBER MARKING. LOT NUMBER TO BE MARKED AS FOLLOW:
- 4                      F  
1ST DIGIT      2ND DIGIT  
YEAR 1194      MONTH 6
- MARK WITH PERMANENT WHITE INK.



"S" STYLE

MINI SHAFT  
FLUSH  
WHEEL

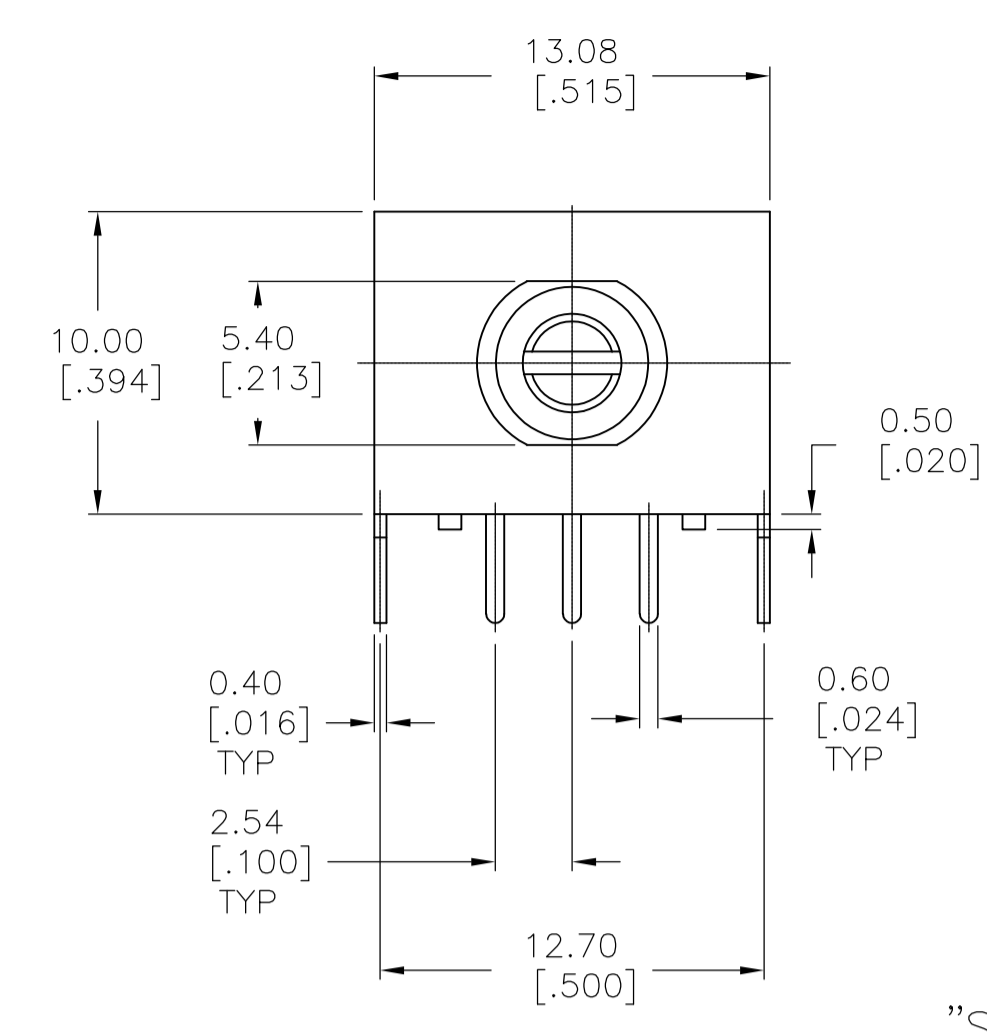
PRINTED CIRCUIT BOARD LAYOUTS

BLACK	DRW16RAE04	1-1825008-6
WHITE	DRW16CRAE04	1-1825008-5
RED	DRW10RAE04	1-1825008-4
ORANGE	DRW10CRAE04	1-1825008-3
N/A	DRS16RA04	1-1825008-2
N/A	DRS16CRA04	1-1825008-1
N/A	DRS10RA04	1-1825008-0
N/A	DRS10CRAE04	1825008-9
BLACK	DRM16RAE04	1825008-8
WHITE	DRM16CRAE04	1825008-7
RED	DRM10RAE04	1825008-6
ORANGE	DRM10CRAE04	1825008-5
BLACK	DRD16RAE04	1825008-4
WHITE	DRD16CRAE04	1825008-3
RED	DRD10RAE04	1825008-2
ORANGE	DRD10CRAE04	1825008-1
ROTOR COLOR	T&B P/N	PART NO.

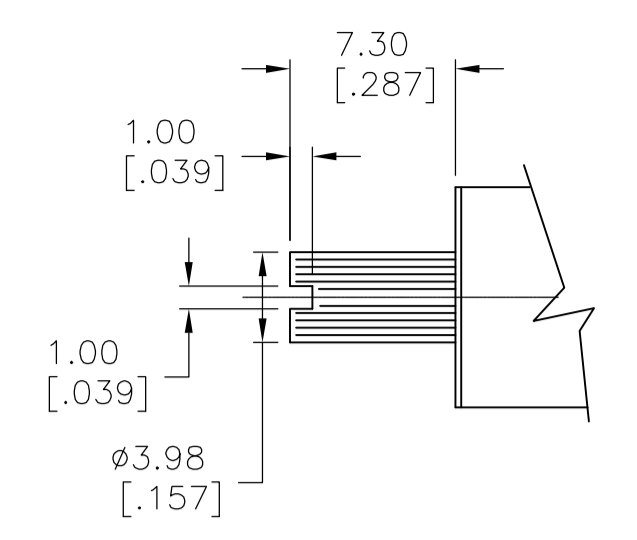
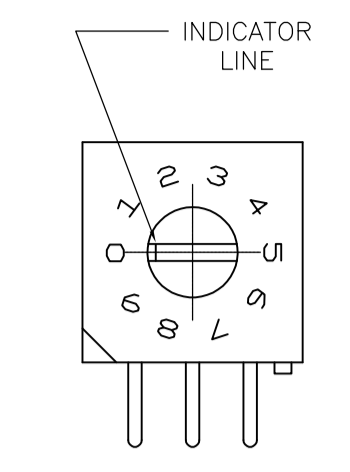
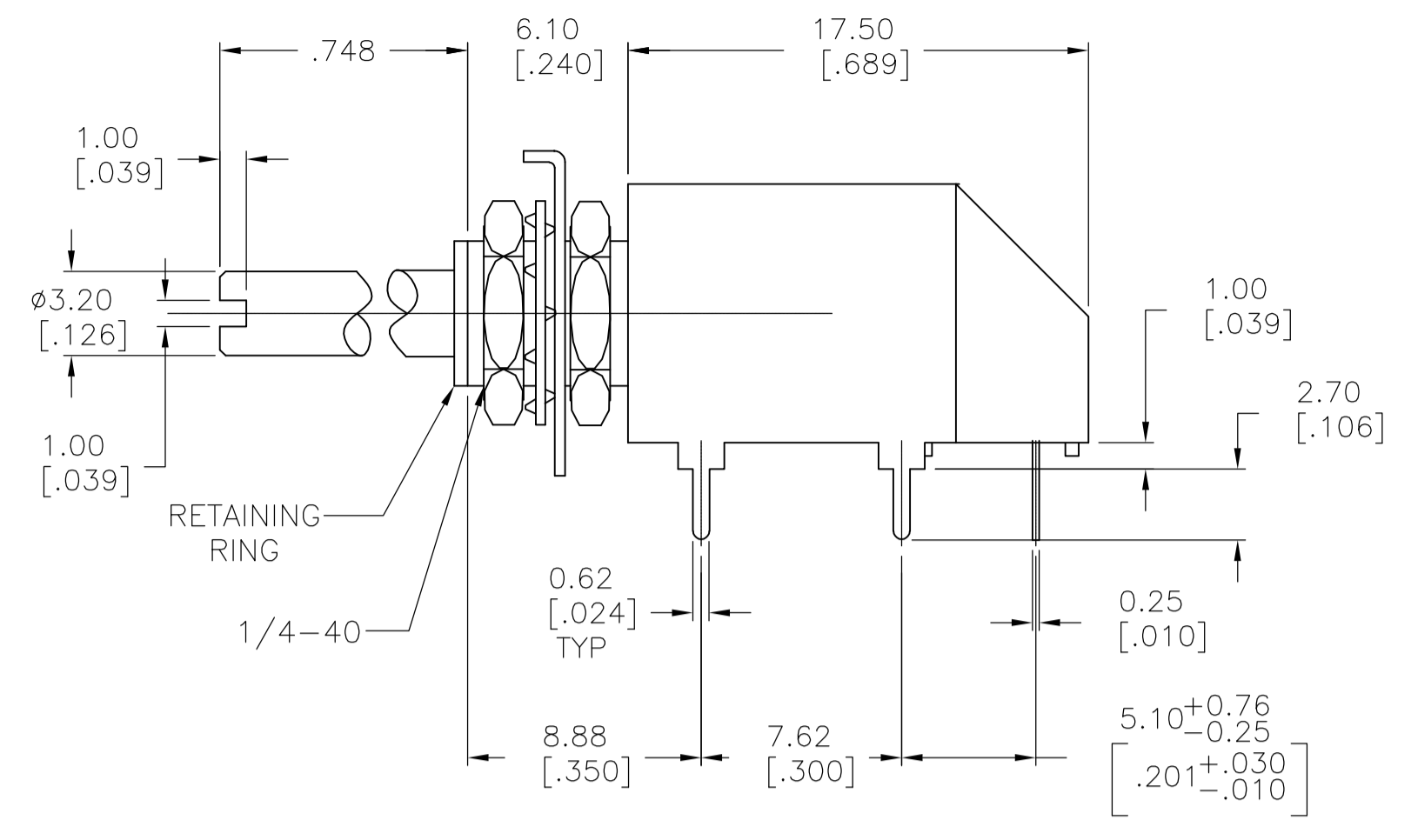
THIS DRAWING IS A CONTROLLED DOCUMENT. DIN 9139 VISVESWARA 17MAY2005  
CHK: M.S.SARVER  
APVD: -

DIMENSIONS: mm [INCHES]	TOLERANCES UNLESS OTHERWISE SPECIFIED:	PRODUCT SPEC	NAME
0 PL ± -	1 PL ± -	APPLICATION SPEC	DR***RA SERIES ROTARY DIP SWITCH
2 PL ± 0.25	3 PL ± -	WEIGHT	SIZE: A1
4 PL ± -	ANGLES ± 1°	CUSTOMER DRAWING	SCALE: 4:1 SHEET 1 OF 2 REV A4

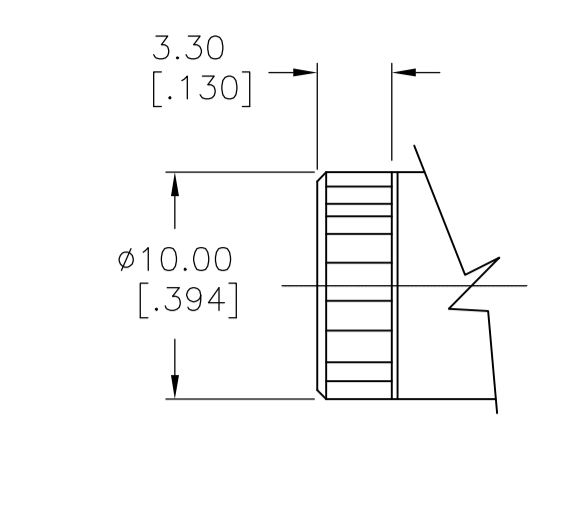
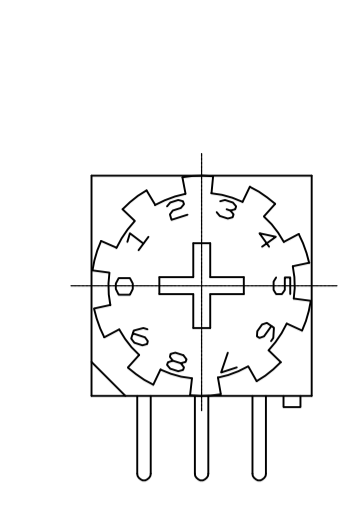
STE TE Connectivity  
A1 00779 1825008



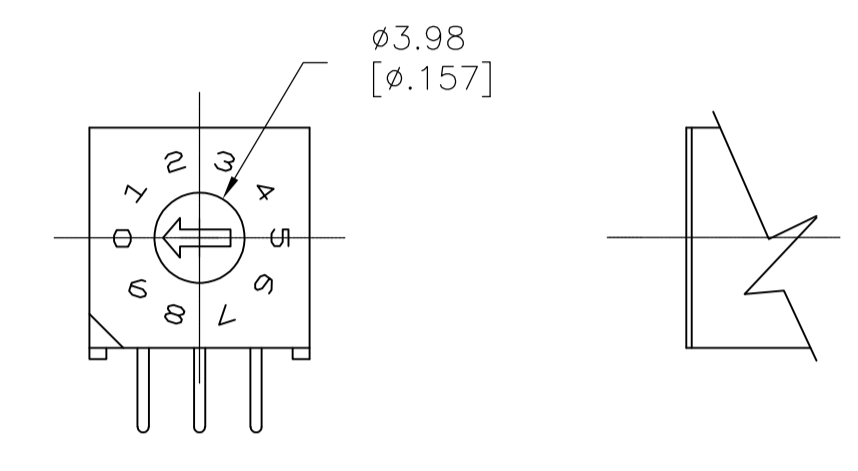
"S" STYLE



MINI SHAFT  
'M' STYLE

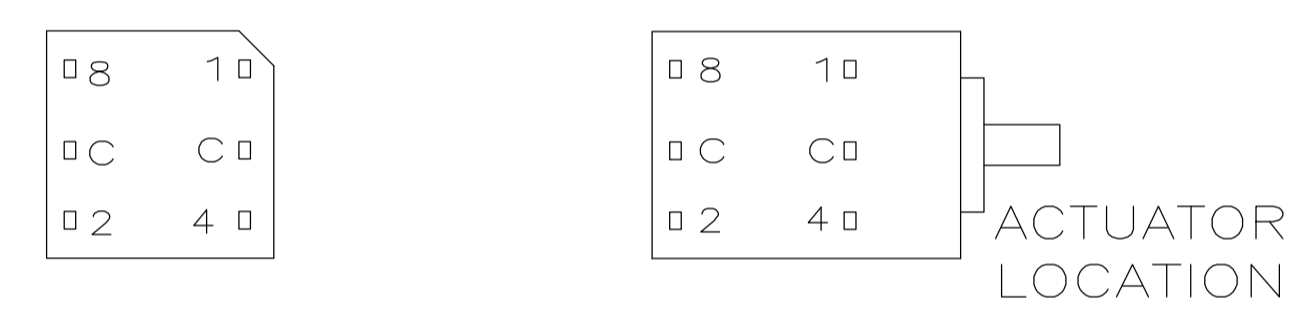


WHEEL  
'W' STYLE



'D' STYLE

TERMINAL IDENTIFICATION FOR DR SERIES ONLY  
(VIEWED FROM BOTTOM OF SWITCH)



ACTUATORS  
SCALE:3:1

10-POSITION, BCD SEE NOTE 3

POS	0	1	2	3	4	5	6	7	8	9
C	X	X	X	X	X	X	X	X	X	X
1		X		X		X		X		X
2			X	X			X	X		
4					X	X	X	X		
8									X	X

16-POSITION, HEXADECIMAL SEE NOTE 4

POS	0	1	2	3	4	5	6	7	8	9	A	B	C	D	E	F
C	X	X	X	X	X	X	X	X	X	X	X	X	X	X	X	X
1		X		X		X		X		X		X		X		X
2			X	X			X	X			X	X			X	X
4					X	X	X	X					X	X	X	X
8									X	X	X	X	X	X	X	X

10 POSITION, BCD COMPLEMENT SEE NOTE 5

POS	0	1	2	3	4	5	6	7	8	9
C̄	X	X	X	X	X	X	X	X	X	X
1̄	X		X		X		X		X	
2̄	X	X			X	X			X	X
4̄	X	X	X	X					X	X
8̄	X	X	X	X	X	X	X	X		

16-POSITION, HEXADECIMAL COMPLEMENT SEE NOTE 6

POS	0	1	2	3	4	5	6	7	8	9	A	B	C	D	E	F
C̄	X	X	X	X	X	X	X	X	X	X	X	X	X	X	X	X
1̄	X		X		X		X		X		X		X		X	
2̄	X	X			X	X			X	X			X	X		
4̄	X	X	X	X					X	X	X	X				
8̄	X	X	X	X	X	X	X	X								

THIS DRAWING IS A CONTROLLED DOCUMENT.		DIN 17MAY2005		TE Connectivity	
DIMENSIONS: mm [INCHES]		TOLERANCES UNLESS OTHERWISE SPECIFIED:		MATERIAL FINISH	
0 PLC ± -		1 PLC ± -		2 PLC ± 0.25	
3 PLC ± -		4 PLC ± -		ANGLES ± 1°	
MATERIAL		FINISH		WEIGHT	
-		-		-	
CUSTOMER DRAWING		SCALE 4:1		SHEET 2 OF 2	
APVD M.S.SARVER		NAME		RESTRICTED TO	
PRODUCT SPEC		APPLICATION SPEC		SIZE CASE CODE DRAWING NO	
-		-		A1 00779 C=1825008	
-		-		REV A4	